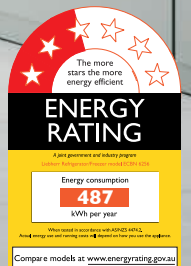


Your Kitchen's Best Kept Secret

Quality, Design and Innovation



ECBN 6256



LIEBHERR



Door-on-door technology: Allows custom panels to be affixed directly onto the appliance door so that the hinges are concealed, plus the cabinet and the fridge open as one, ensuring a wide range of design options and easy installation.



IceMaker: Liebherr's automatic IceMaker produces flawless crescent ice and keeps constant supply on hand for every occasion. A water filter ensures pure water for production of clear ice crescents.



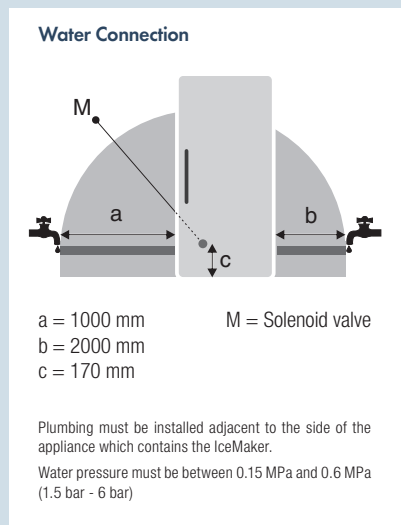
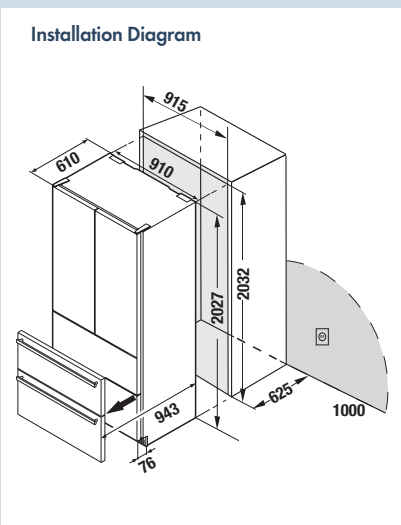
BioFresh: BioFresh guarantees the perfect temperature and ideal humidity for much longer freshness. While the DrySafe is perfect for meat, fish, and dairy products, the high humidity in the Fruit & Vegetable-Safe can prevent fruit and vegetables from drying out and helps preserve stored goods for an even longer period.

Note: Whilst every effort is made to ensure all specifications and information in this flyer are accurate, Liebherr reserves the right to make changes without notification. Where actual appliance measurements, specifications, and ratings are crucial, we recommend that the actual appliance installation instructions that accompany each appliance be checked. Liebherr will not be liable for any loss.

Behold the magnificent **ECBN 6256** built-in french door fridge-freezer. With double freezer drawers and equipped with Liebherr's BioFresh technology and DuoCooling system, this appliance is your answer to style and freshness. Opt for our stainless steel panels and handles for that extra touch of elegance!

ECBN 6256 PremiumPlus	Bio Fresh	No Frost	Duo Cooling	Ice Maker	Soft System
---------------------------------	-----------	----------	-------------	-----------	-------------

Energy consumption (kWh/yr) Star rating	487 2.5
Compressors	2
Total Usable Litres	522
Refrigerator Usable Litres	292
Freezer Usable Litres	159
BioFresh Usable Litres	71
MagicEye control system Display	Touch-Electronics LCD
Child proof setting for display & temperature	•
PremiumPlus lighting	•
DuoCooling	•
Sabbath mode	•
SoftSystem hinge - assists closure	•
Temp alarm Door open warning signal Malfunction warning signal	• • •
Optional extra stainless steel panel/s & handle/s	•
BioFresh drawers on telescopic rails	2
SuperCool	•
GlassLine shelves	•
Elegant holding columns	•
Bottle shelf	Integrated
Automatic refrigerator defrosting	• Frost Free
FrostSafe system	•
Freezer drawers Ice cube drawer	2 1
SuperFrost	•
24hr freezing capacity (kg)	11
IceMaker	•
Ice cube capacity (kg/24h)	1.3
Ice cube stock maximum (kg)	2.7
Stainless steel hose supplied (m)	3
Door hinges	French
Voltage (V) Rated Current (A)	220-240 1.5
Made in	Austria



Subject to modification. Current data see home.liebherr.com.au (030522)